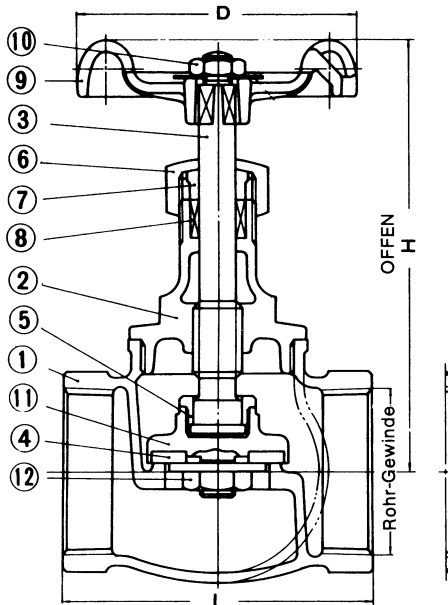


Technisches Datenblatt Art.-Nr. 4R Muffen-Durchgangsventil aus Rotguss

Technical data sheet Art.-No. 4R
Globe valve, red bronze



Abmessung Dimension	L	H	D	Gewicht g Weight g
1/2"	58	90	58	370
3/4"	66	99	66	530
1"	75	109	73	830
1 1/4"	90	113	84	1.320
1 1/2"	98	143	94	1.080
2"	120	162	106	2.970

- ohne Entleerung
- mit Teflon®-Dichtung ND 16
- mit Handrad
- geeignet für kaltes und heißes Wasser, mineralhaltige Öle und Fette, Luft und Gas

Gehäuse (1):	Rotguss (G-Cu-Sn 5 Zn Pb)
Haube (2):	1/2" - 1" Messing (Cu Zn 39 Pb 2) 1 1/4" - 2" Rotguss (G-Cu-Sn 5 Zn Pb)
Spindel (3):	Messing (Cu Zn 39 Pb 2)
Dichtung (4):	Teflon® (PTFE)
Gegenmutter (5):	Messing (Cu Zn 36 Pb 3)
Stopfbuchsmutter (6):	Messing (Cu Zn 36 Pb 3)
Druckring (7):	Messing (Cu Zn 36 Pb 3)
Stopfbuchspackung (8):	Graphit
Handrad (9):	1/2" - 1 1/2" Zink-Druckguss 2" Gusseisen
Befestigungsmutter (10):	Messing (Cu Zn 36 Pb 3)
Dichtungsteller (11):	1/2" - 1 1/4" Messing (Cu Zn 39 Pb 2) 1 1/2" - 2" Rotguss (G-Cu-Sn 5 Zn Pb)
Dichtungsmutter (12):	1/2" - 1 1/4" Messing (Cu Zn 36 Pb 3) 1 1/2" - 2" Messing (Cu Zn 39 Pb 2)
Temperatur:	bis 160°C
Druck:	für Betriebsdruck bis 16 bar. Die maximalen Betriebswerte richten sich nach den bekannten DIN-Normen.

- without discharge
- with Teflon®-seal ND 16
- with hand wheel
- suitable for cold and hot water, saturated and wet steam, mineral-containing oils and greases, air and gas

Body (1):	red bronze (G-Cu-Sn 5 Zn Pb)
Bonnet (2):	1/2" - 1" brass (Cu Zn 39 Pb 2) 1 1/4" - 2" red bronze (G-Cu-Sn 5 Zn Pb)
Spindle (3):	brass (Cu Zn 39 Pb 2)
Seal (4):	Teflon® (PTFE)
Counter nut (5):	brass (Cu Zn 36 Pb 3)
Packing box screw (6):	brass (Cu Zn 36 Pb 3)
Clamping ring (7):	brass (Cu Zn 36 Pb 3)
Packing (8):	graphite
Hand wheel (9):	1/2" - 1 1/2" zinc diecasting 2" cast iron
Fixing nut (10):	brass (Cu Zn 36 Pb 3)
Disc (11):	1/2" - 1 1/4" brass (Cu Zn 39 Pb 2) 1 1/2" - 2" red bronze (G-Cu-Sn 5 Zn Pb)
Sealing nut (12):	1/2" - 1 1/4" brass (Cu Zn 36 Pb 3) 1 1/2" - 2" brass (Cu Zn 39 Pb 2)
Temperature:	up to 160°C
Pressure:	for operating pressure up to 16 bar. The maximum operating parameters are conform to the known DIN-Standards.